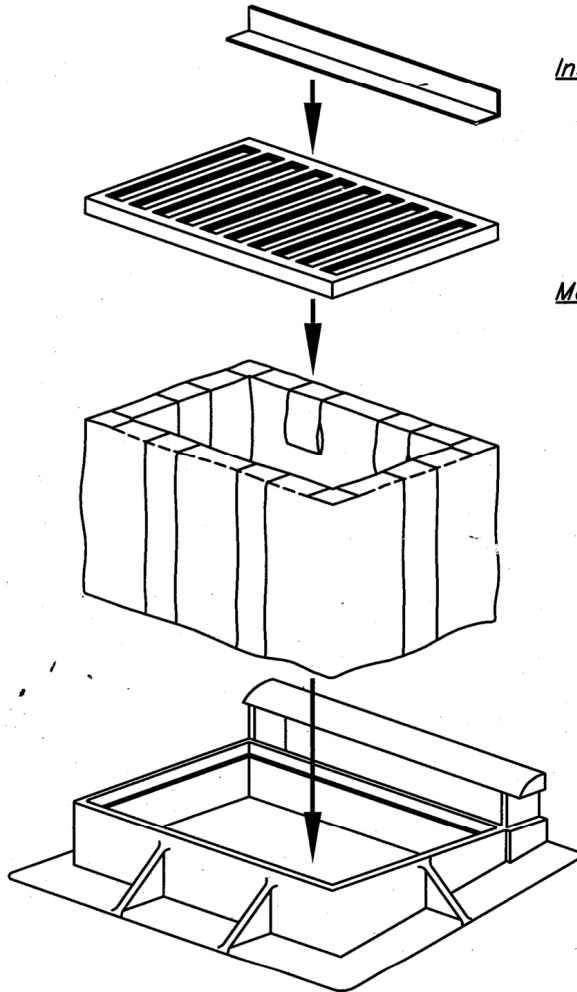


FRYE FLOW SYSTEMS CURB & GUTTER INLET SEDIMENT CONTROL ASSEMBLY



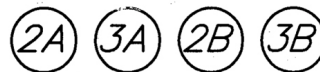
Installation

1. Remove Grate
2. Install bag
*Bag rests on lip of casting
3. Reinstall grate
4. Install Bonnet Guard with tabs
between grate & bonnet casting

Maintenance

1. Remove the Bonnet Guard
2. Remove grate
3. Bag can be cleaned several ways
 - a) Pick up bag and dump it
 - b) Shoveling debris out of bag
 - c) Vac-Unit
4. Shake loose debris out of bag or
rinse with water
5. Reinstall bag
6. Reinstall grate
7. Reinstall Bonnet Guard

For Structures:



Available from:
FryeFlow Systems
P.O. Box 622
Granville, OH 43023
Ph. 740-788-9150
Fax 740-788-9185
Email: mike@FryeFlowSystems.com